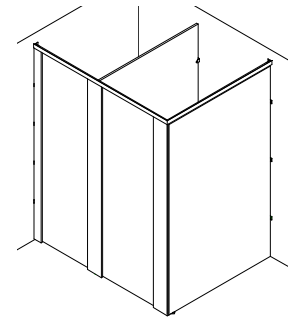


# Absolute Privacy – European Toilet Compartment Data Sheet

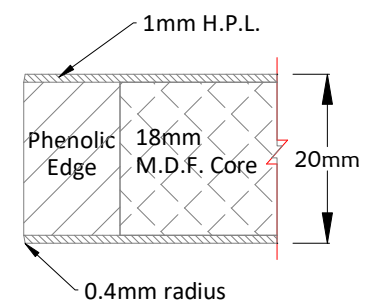
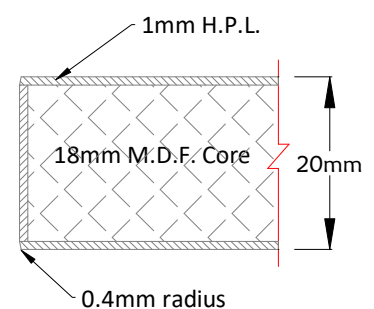


Our **Absolute Privacy** toilet compartment system is designed for hospitality and commercial applications where increased privacy is required from within the stall e.g. Unisex and/or Executive washrooms. The system comprises of prefabricated components based on AutoCAD shop drawings, assembled on-site with specialized hardware & fasteners and features full height components with no visible door gaps.



## Panel Options:

- **Laminate** - All doors, panels, posts and urinal screens are made of high quality M.D.F. (Medium Density Fibreboard), laminated all sides with 1mm thick H.P.L. (High Pressure Laminate), bonded under pressure at 85psi using a specially formulated spray applied contact adhesive. All components shall have a uniform finish thickness of 20mm and edges have a 0.4mm half round to prevent chipping. Urinal screens are full height, elliptical shaped panels with a finished thickness of 25mm.
- **Phenolic Edge** - All doors, panels, posts and urinal screens are made of high quality M.D.F. (Medium Density Fibreboard), integrally bonded, reinforced and framed with 12mm wide solid phenolic, laminated all sides with 1mm thick H.P.L. (High Pressure Laminate), bonded under pressure at 85psi using a specially formulated spray applied contact adhesive. All components shall have a uniform finish thickness of 20mm, finished with black polished edges and 0.4mm half round to prevent chipping. Urinal screens are full height, rectangular shaped panels with a finished thickness of 25mm.



## Suspended Hardware:

- **European Option** – Designed for overlapping door and stile configuration. Hinges are rising butt type and hold the door of an unlatched compartment partially open. Indicator latches shall facilitate emergency entry to a latched compartment by retracting the latch from the outside with a flathead screwdriver OR coin. Brackets are standard width stirrup brackets with radius corners. Doors and coat hooks shall have a buffered stop preventing abrasion from slamming doors. Panels are supported 19mm above the finished floor with specialized concealed leg supports, creating a floating effect. All hardware is of type 304 stainless-steel, satin finish.

- **Rebated Option** – Designed for in-line rebated door and stile configuration. Hinges are rising butt type and are fully adjustable to hold the door of an unlatched compartment either partially open OR fully closed. The hinges shall facilitate emergency entry to a latched compartment by allowing the door to be lifted 1/2" thereby disengaging the latch. Brackets are standard width stirrup brackets with radius corners. Latches and coat hooks include a buffered stop, preventing abrasion from slamming doors. Panels are supported 19mm above the finished floor with specialized concealed leg supports, creating a floating effect. All hardware is of type 304 stainless-steel, satin finish.



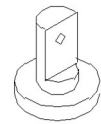
Overlapping door & stile



Rebated door & stile

## Fasteners:

All fasteners are anti-vandal, stainless steel screws. Doors and stiles are fitted with insert nuts for hinges and latches to accept machine screws, which also come factory furnished with thread lock. Bracket and leg supports are fastened using self-thread screws and expansion wall anchors and/or through bolted sex-bolts where applicable.



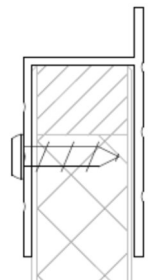
LEG SUPPORT

## Standard Size:

Doors, panels, posts and urinal screens all start 19mm above the finished floor and extend to 2,400mm high. Compartment widths and depths are custom made to unique site conditions and applications.

## Headrail:

The special purposed headrail is unique to Pouchet, made from 1/8" extruded aluminium with linear grooves on both sides; a vertical ridge for added strength and to discourage gripping; and a silver baked-on enamel paint finish to protect the raw mill aluminium from scratches and corrosion.



## Warranty:

The **Absolute Privacy** toilet compartments shall be free from defects in material and workmanship for a period of three (3) years from date of purchase. A site visit will be arranged by a qualified technician to inspect any identified defects after which Neville C. Pouchet Limited will either repair or replace these components free of charge.